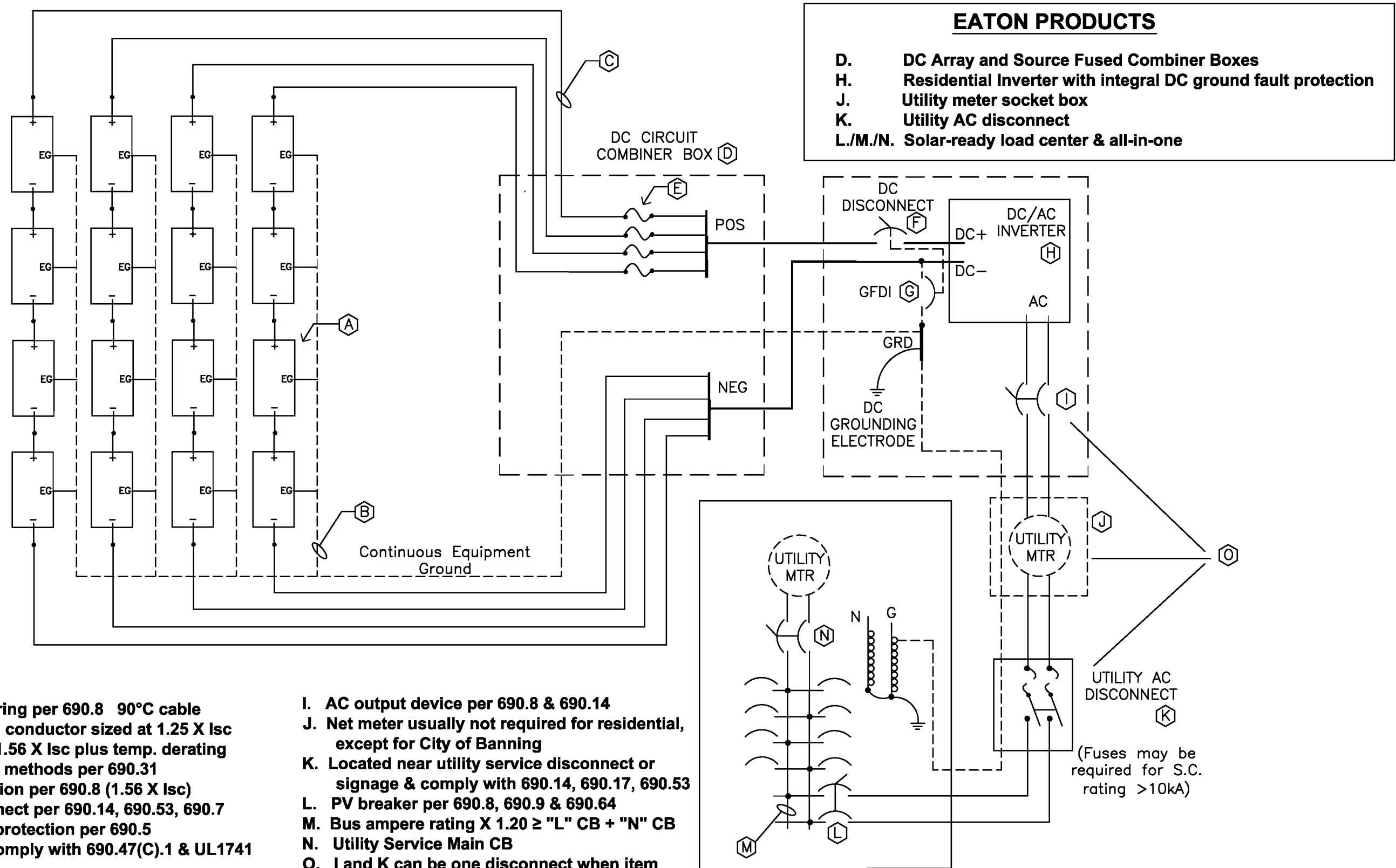


# RESIDENTIAL SOLAR PV GUIDELINES



**NOTES:**

- A. Module wiring per 690.8 90°C cable
- B. Equip. grd. conductor sized at 1.25 X I<sub>sc</sub>
- C. Ampacity 1.56 X I<sub>sc</sub> plus temp. derating
- D. Box wiring methods per 690.31
- E. OC protection per 690.8 (1.56 X I<sub>sc</sub>)
- F. DC disconnect per 690.14, 690.53, 690.7
- G. Grd. fault protection per 690.5
- H. Inverter: comply with 690.47(C).1 & UL1741

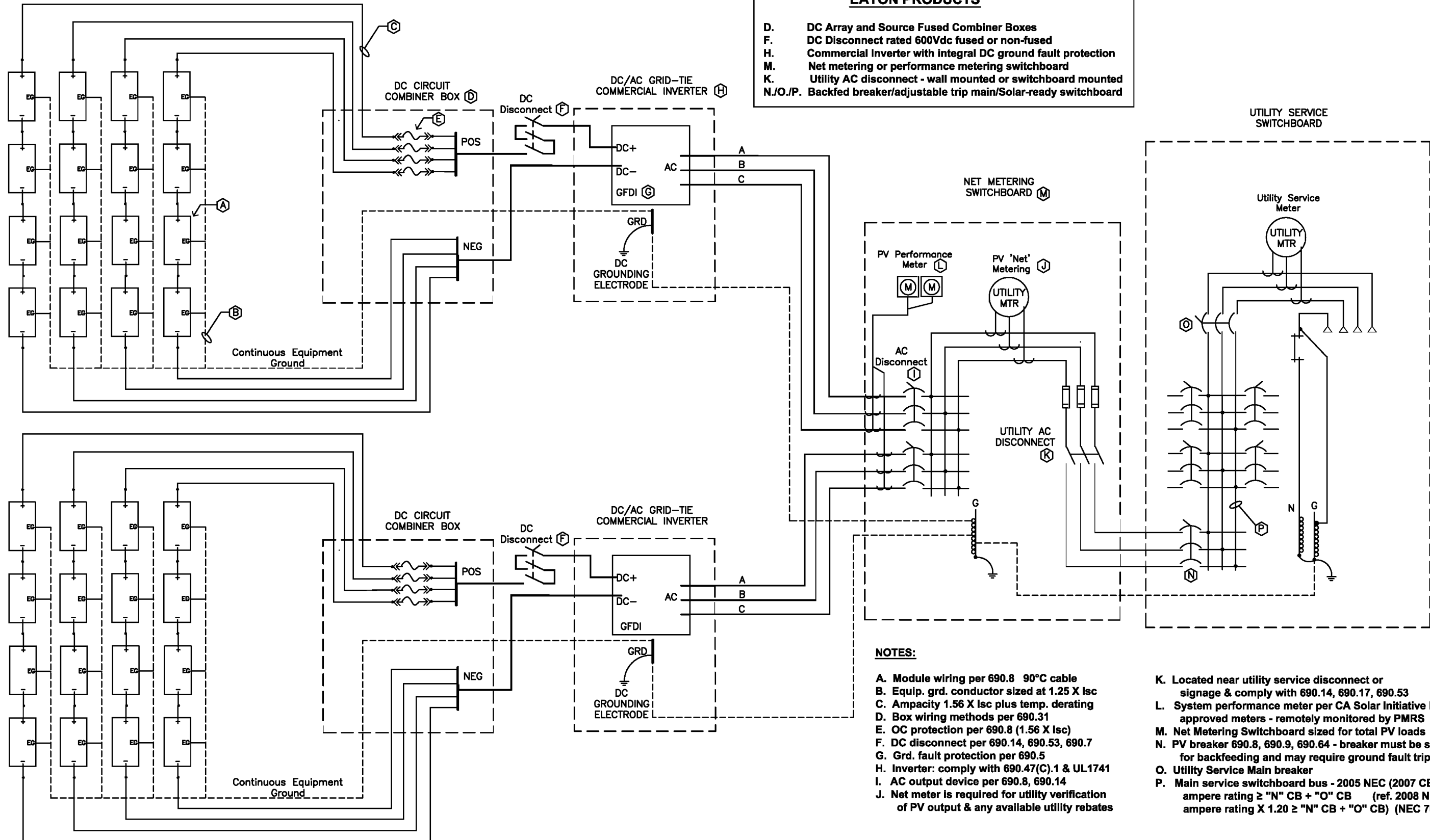
- I. AC output device per 690.8 & 690.14
- J. Net meter usually not required for residential, except for City of Banning
- K. Located near utility service disconnect or signage & comply with 690.14, 690.17, 690.53
- L. PV breaker per 690.8, 690.9 & 690.64
- M. Bus ampere rating X 1.20 ≥ "L" CB + "N" CB
- N. Utility Service Main CB
- O. I and K can be one disconnect when item J is not required

(Fuses may be required for S.C. rating >10kA)

# COMMERCIAL SOLAR PV GUIDELINES

## EATON PRODUCTS

- D. DC Array and Source Fused Combiner Boxes
- F. DC Disconnect rated 600Vdc fused or non-fused
- H. Commercial Inverter with integral DC ground fault protection
- M. Net metering or performance metering switchboard
- K. Utility AC disconnect - wall mounted or switchboard mounted
- N./O./P. Backfed breaker/adjustable trip main/Solar-ready switchboard



### NOTES:

- A. Module wiring per 690.8 90°C cable
- B. Equip. grd. conductor sized at 1.25 X Isc
- C. Ampacity 1.56 X Isc plus temp. derating
- D. Box wiring methods per 690.31
- E. OC protection per 690.8 (1.56 X Isc)
- F. DC disconnect per 690.14, 690.53, 690.7
- G. Grd. fault protection per 690.5
- H. Inverter: comply with 690.47(C).1 & UL1741
- I. AC output device per 690.8, 690.14
- J. Net meter is required for utility verification of PV output & any available utility rebates
- K. Located near utility service disconnect or signage & comply with 690.14, 690.17, 690.53
- L. System performance meter per CA Solar Initiative list of approved meters - remotely monitored by PMRS
- M. Net Metering Switchboard sized for total PV loads
- N. PV breaker 690.8, 690.9, 690.64 - breaker must be suitable for backfeeding and may require ground fault trip
- O. Utility Service Main breaker
- P. Main service switchboard bus - 2005 NEC (2007 CEC) ampere rating  $\geq$  "N" CB + "O" CB (ref. 2008 NEC ampere rating X 1.20  $\geq$  "N" CB + "O" CB) (NEC 705.12)